

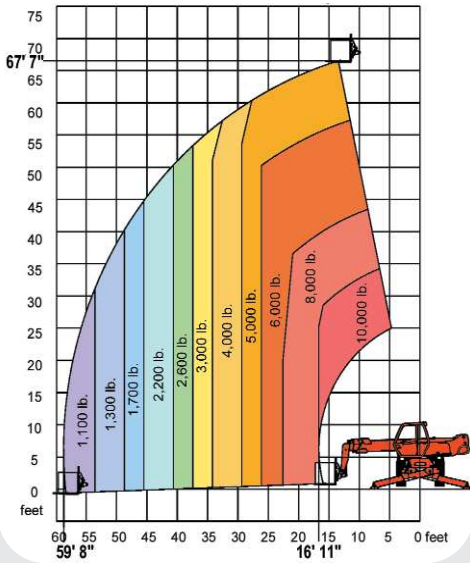
MANISCOPIC **MRT 2150**



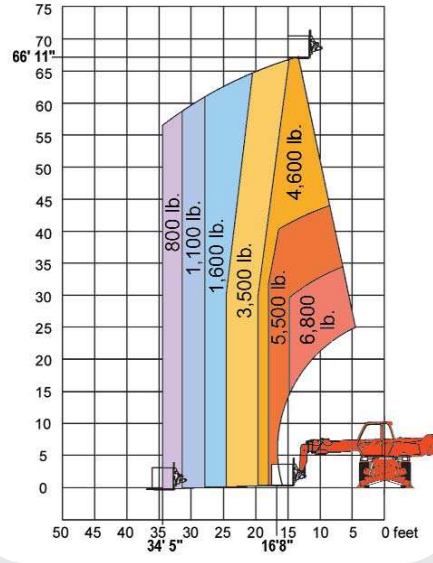
*New Cab
Design*

- **Lift Capacity: 10,000 lb.**
- **Maximum Lift Height: 67 ft. 7 in.**
- **Maximum Forward Reach: 59 ft. 8 in.**
- **Mercedes "Tier III" 150 HP Engine**
- **Hydrostatic Transmission**
- **Four Wheel Drive**
- **Continuous Rotation**
- **Three Steering Modes**
- **Frame Leveling**

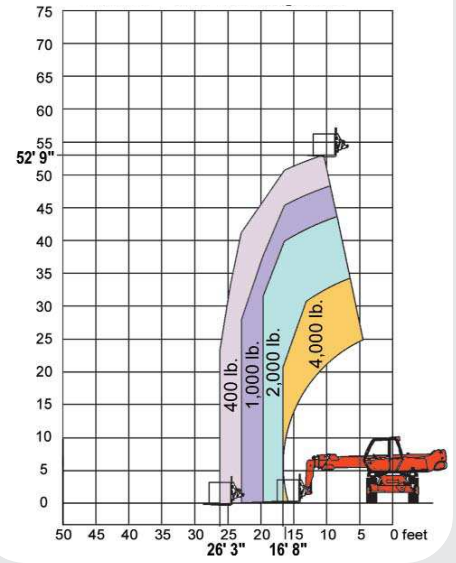
Rotation on Stabilizers with Forks



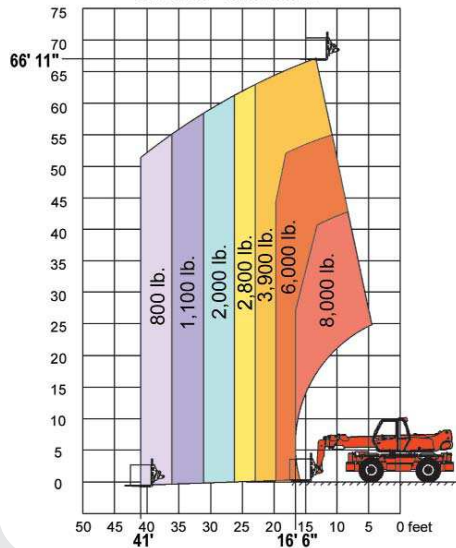
Rotation on Partial Stabilizers with Forks



Rotation on Tires with Forks

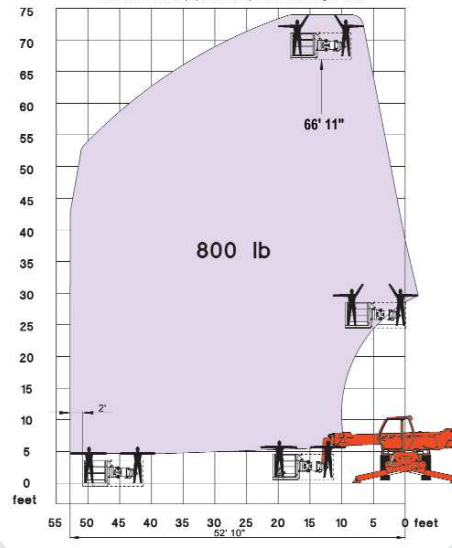


Frontal Position on Tires with Forks



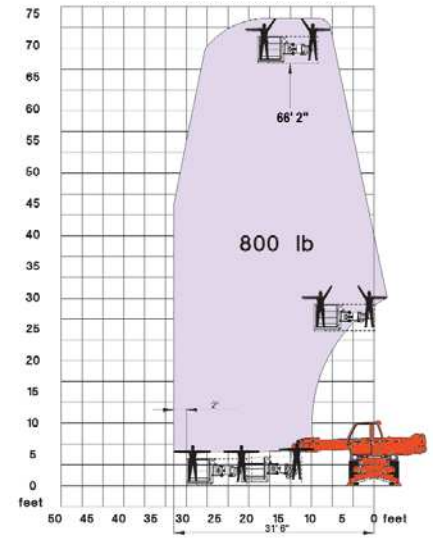
Rotation on Stabilizers with 800# Capacity Work Platform

Max. Load - 800 lb. (3 persons inc.) - Max Work Height - 73' 6"

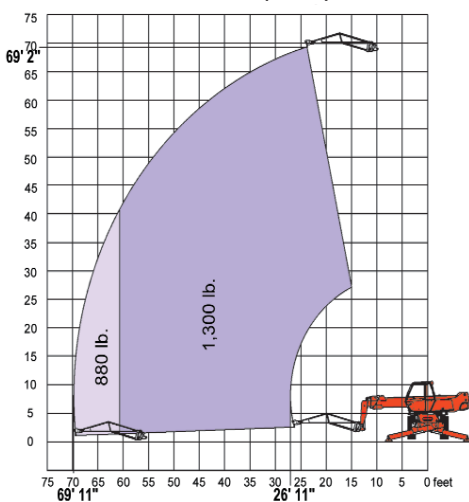


Rotation on Partial Stabilizers with 800# Capacity Work Platform

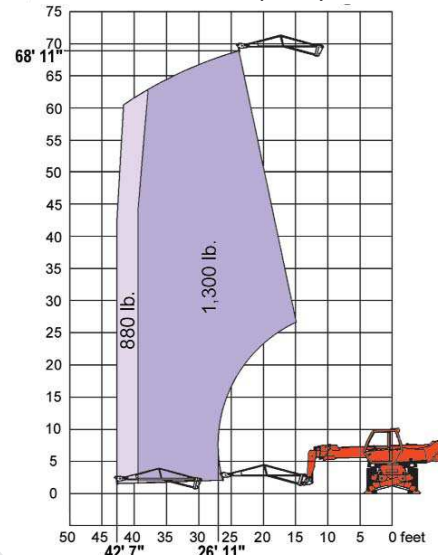
Max. Load - 800 lb. (3 persons inc.) - Max Work Height - 72' 9"



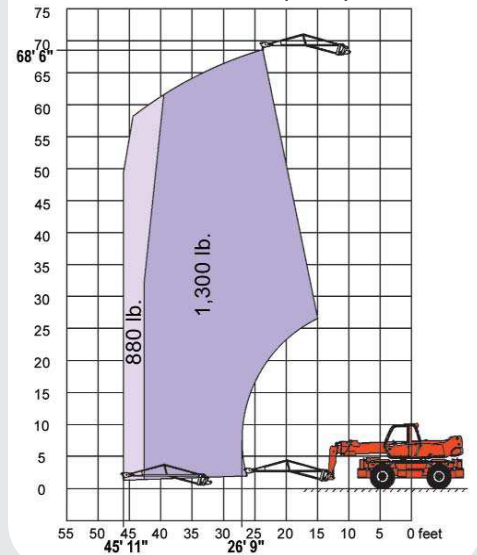
Frontal Position on Tires with 1300# Capacity Jib



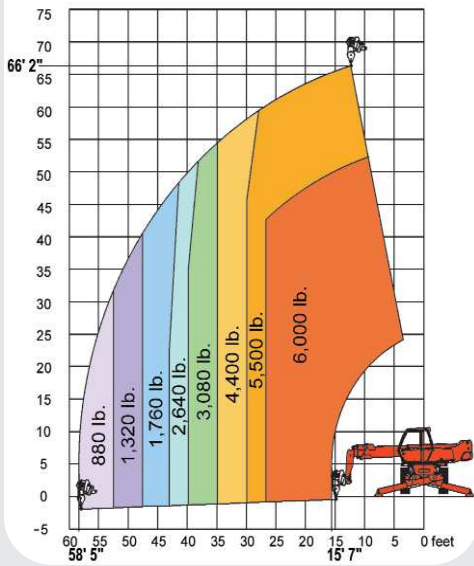
Rotation on Stabilizers with 1300# Capacity Jib



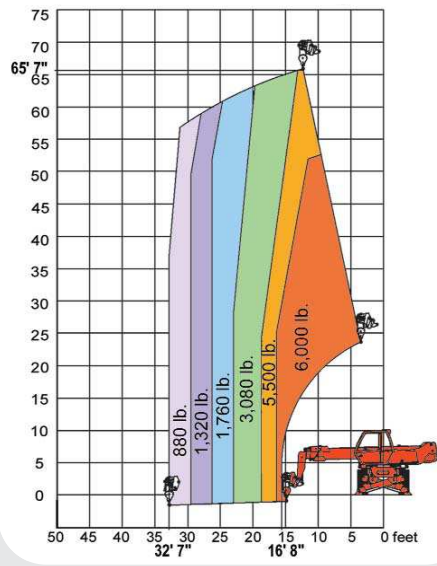
Rotation on Partial Stabilizers with 1300# Capacity Jib



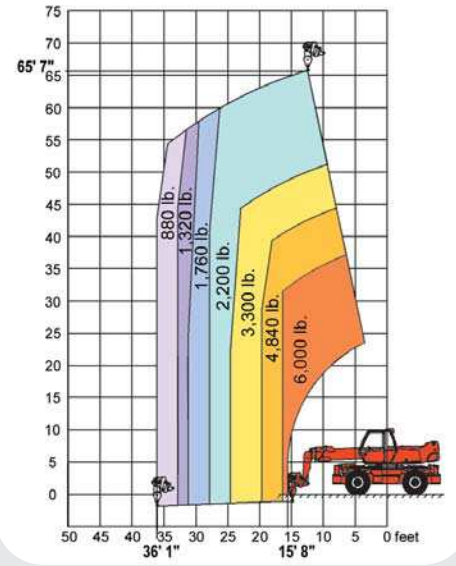
Rotation on Stabilizers with 3 Ton Capacity Winch



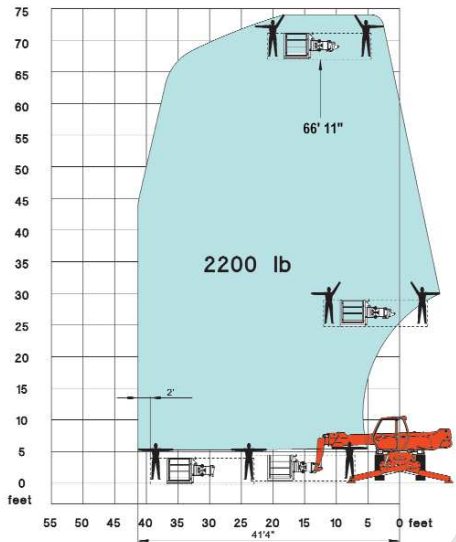
Rotation on Partial Stabilizers with 3 Ton Capacity Winch



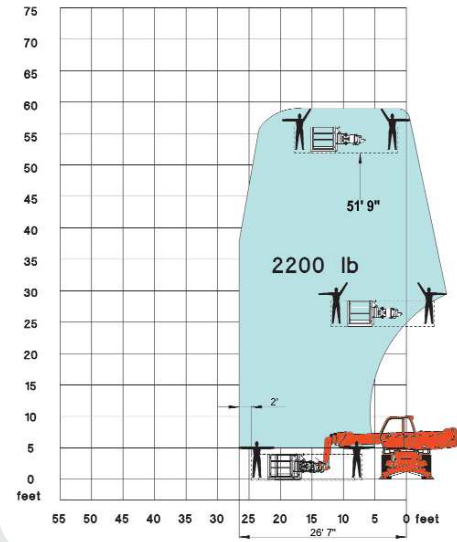
Frontal Position on Tires with 3 Ton Capacity Winch



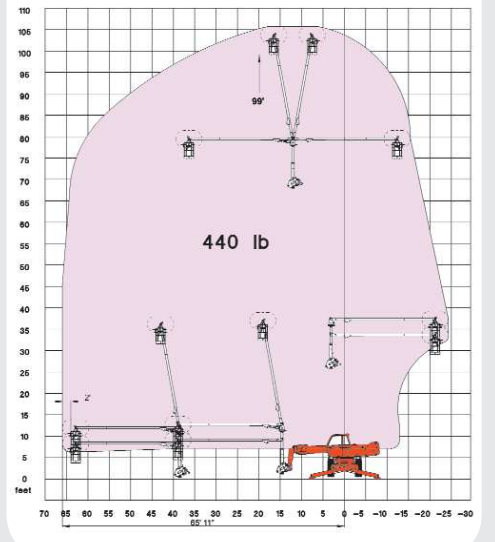
Rotation on Stabilizers with 2200# Capacity Work Platform
Max. Load - 2200 lb. (3 persons inc.) - Max Work Height - 73' 6"



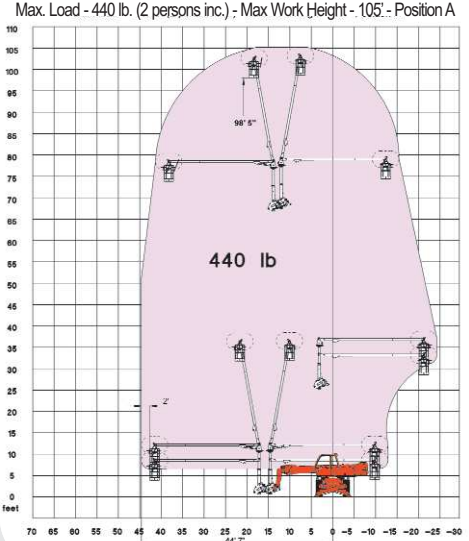
Rotation on Partial Stabilizers with 2200# Capacity Work Platform
Max. Load - 2200 lb. (3 persons inc.) - Max Work Height - 58' 5"



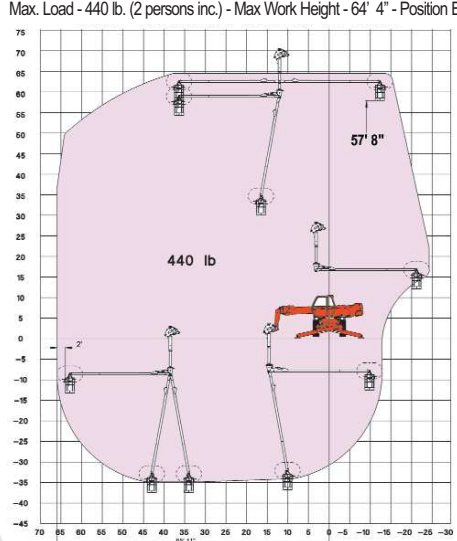
Rotation on Stabilizers with Rotating Pendulum Basket
Max. Load - 440 lb. (2 persons inc.) - Max Work Height - 105' 7" - Position A



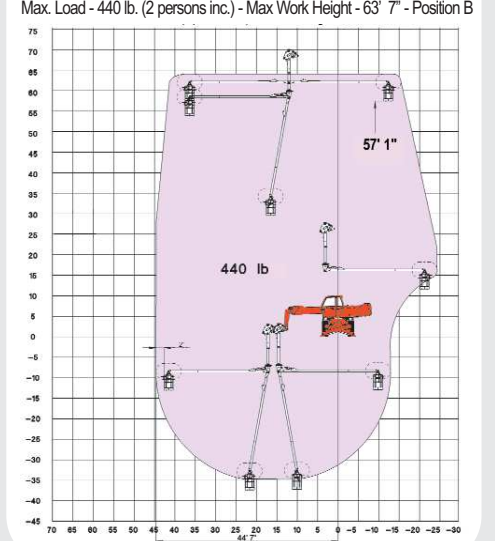
Rotation on Partial Stabilizers with Rotating Pendulum Basket
Max. Load - 440 lb. (2 persons inc.) - Max Work Height - 105' - Position A



Rotation on Stabilizers with Rotating Pendulum Basket
Max. Load - 440 lb. (2 persons inc.) - Max Work Height - 64' 4" - Position B



Rotation on Partial Stabilizers with Rotating Pendulum Basket
Max. Load - 440 lb. (2 persons inc.) - Max Work Height - 63' 7" - Position B



MRT 2150P



Lift Capacity:

Max. (24" load center - on stabilizers)...10,000 lb.



Lift Height:

Maximum lift height.....67 ft. 7 in.
Maximum forward reach.....59 ft. 8 in.



Tires:

.....18 x 22.5 16PR



Brakes:

...Multidisc - hydraulically assisted on four wheels
Negative parking brake



Engine:

TypeMercedes OM 904 LA Turbo Diesel
Displacement4 cyl. 259 cu. in.
Power150 HP / 110 kw
Maximum Torque 428 ft.lb. at 1400 rpm
InjectionDirect
CoolingWater



Transmission:

TypeHydrostatic
Electro-hydraulic reversing shift
Speeds forward/reverse2/2
Maximum travel speed22 mph



Axles:

Frame leveling on front axle+/- 8°
Automatic rear axle locking system on 15° rotation



Stabilizers:

....Four simultaneous or individually controlled



Rotation:

.....Continuous
Turret mounted on a planetary rotation gearbox with internal gear
Hydraulic and electric rotation



Hydraulics:

Three pumpsGear type
Flow3900 PSI - 42 gpm
Flow divider with priority to steering and braking



Controls:

Two hydraulic proportional control joysticks for all hydraulic movements



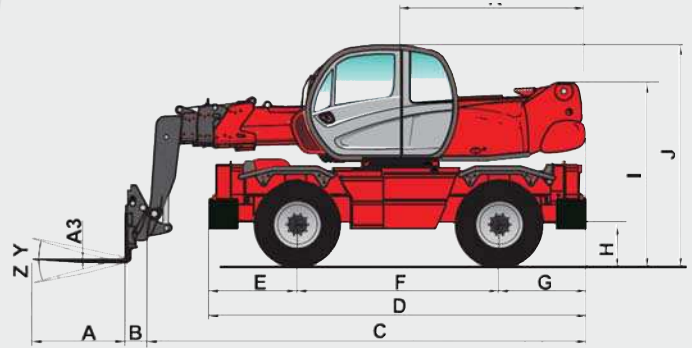
Capacities:

Cooling system4 gal.
Engine oil3 gal.
Hydraulic oil.....53 gal.
Fuel tank60 gal.



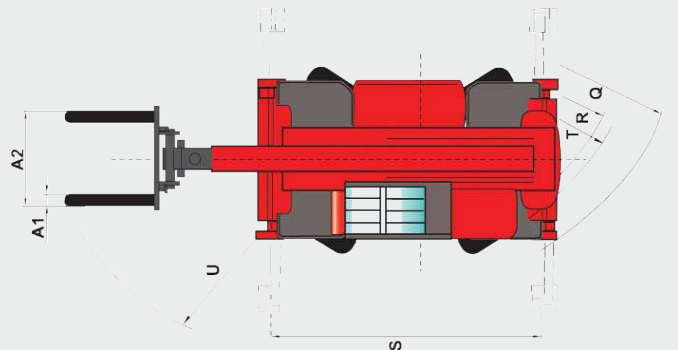
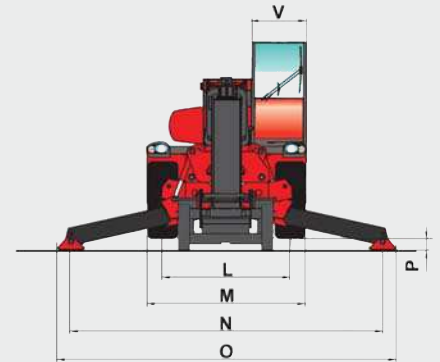
Specifications:

Weight36,700 lb.
Turning radius (outside wheels).....14 ft. 9 in.
Overall height10 ft.
Overall width8 ft.
Overall length (without forks)22 ft. 2 in.
Ground clearance15 in.
Maximum drawbar pull.....18,450 lbf.



DIMENSIONS:

A.....48	K.....98
A1.....4	L.....76
A2.....52	M.....96
A3...2.25	N.....185
B.....11	O.....201
C.....255	P.....8
D.....199	Q.....177
E.....45	R.....150
F.....109	S.....179
G.....45	V.....37
H.....14.5	Y.....12°
I.....95	Z...105°
J.....119	



STANDARD EQUIPMENT:

- Enclosed Cab
- Hydraulic Power Steering
- Three Steering Modes
- Full Time 4 Wheel Drive
- Limited Slip Front Axle
- Outer Planetary Hubs
- Adjustable Seat
- Full Instrumentation
- Load Moment Indicator
- Road Lights
- Horn
- Rotating Beacon
- Backup Alarm
- InboardWet Disc Brakes
- Negative Parking Brake
- Quick Fit Tool System
- Automatic Attachment Leveling
- Auxiliary Boom Hydraulics
- Left & Right Side Mirrors
- Neutral Start Switch
- Tow Pin

OPTIONAL EQUIPMENT:

- A wide variety of attachments and options are available to meet the customer's individual applications

Dealer:



MANITOU NORTH AMERICA, INC. - P.O. Box 21386 - Waco, TX 76702-1386
Tel: 800-433-3304 - Fax: 254-799-4433 - www.manitou-na.com